



US007103915B2

(12) **United States Patent**  
**Redlich et al.**

(10) **Patent No.:** **US 7,103,915 B2**  
(45) **Date of Patent:** **Sep. 5, 2006**

(54) **DATA SECURITY SYSTEM AND METHOD**

(75) Inventors: **Ron M. Redlich**, Miami Beach, FL (US); **Martin A. Nemzow**, Miami Beach, FL (US)

(73) Assignee: **Digital Doors, Inc.**, Miami Beach, FL (US)

(\* ) Notice: Subject to any disclaimer, the term of this patent is extended or adjusted under 35 U.S.C. 154(b) by 867 days.

5,581,682	A *	12/1996	Anderson et al. ....	715/530
5,832,212	A	11/1998	Cragun et al. ....	395/188.01
5,903,646	A *	5/1999	Rackman .....	705/51
5,905,980	A	5/1999	Masuichi et al. ....	707/1
5,933,498	A *	8/1999	Schneck et al. ....	705/54
5,960,080	A	9/1999	Fahlman .....	380/4
5,996,011	A	11/1999	Humes .....	709/225
6,055,544	A	4/2000	DeRose et al. ....	707/104
6,078,907	A *	6/2000	Lamm .....	705/40
6,094,483	A	7/2000	Fridrich et al. ....	380/28

(Continued)

(21) Appl. No.: **09/916,397**

(22) Filed: **Jul. 27, 2001**

(65) **Prior Publication Data**

US 2002/0091734 A1 Jul. 11, 2002

**Related U.S. Application Data**

(60) Provisional application No. 60/260,398, filed on Jun. 5, 2001, provisional application No. 60/287,813, filed on May 2, 2001, provisional application No. 60/267,944, filed on Feb. 12, 2001, provisional application No. 60/247,242, filed on Nov. 13, 2000, provisional application No. 60/247,232, filed on Nov. 13, 2000.

(51) **Int. Cl.**  
**G06F 12/16** (2006.01)  
**H04L 9/00** (2006.01)

(52) **U.S. Cl.** ..... **726/27**; 713/166; 713/193; 715/530; 715/540

(58) **Field of Classification Search** ..... 713/200, 713/201, 166, 193; 715/751, 530, 540; 726/27

See application file for complete search history.

(56) **References Cited**

**U.S. PATENT DOCUMENTS**

5,036,315	A *	7/1991	Gurley .....	715/733
5,485,474	A	1/1996	Rabin .....	371/37.1
5,532,950	A	7/1996	Moses .....	364/724.19

**OTHER PUBLICATIONS**

Schneier, Bruce, Applied Cryptography, 1996, pp. 220, 228-229.\*

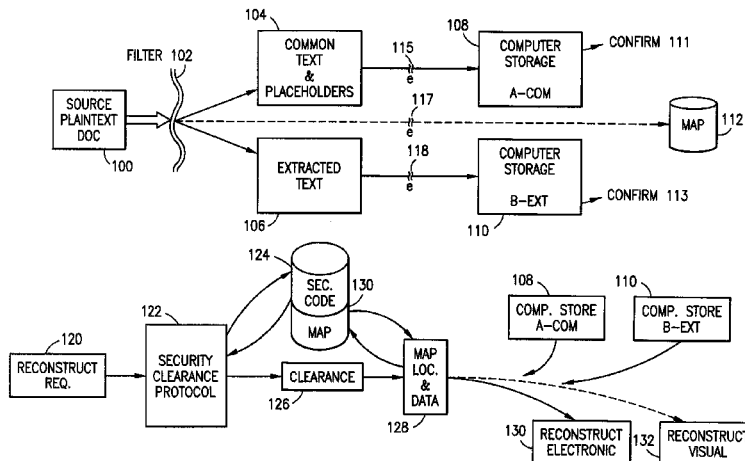
(Continued)

*Primary Examiner*—Emmanuel L. Moise  
*Assistant Examiner*—Michael Pyzocha  
(74) *Attorney, Agent, or Firm*—Robert C. Kain, Jr.; Fleit Kain

(57) **ABSTRACT**

The method for securing data includes establishing a group of security sensitive items, filtering data and extracting and separating the security items from remainder data. The filtered data are separately stored (locally on a PC or on another computer in a LAN or WAN or on the Internet.) A map may be generated. The filter and/or map may be destroyed or stored. The data input, extracted data and remainder data may be deleted from the originating computer. Encryption may be utilized to enhance security (including transfers of data, filter and map). Reconstruction of the data is permitted only in the presence of a predetermined security clearance. A plurality of security clearances may be used to enable a corresponding plurality of partial, reconstructed views of the plaintext (omitting higher security words). A computer readable medium containing programming instructions and an information processing system is encompassed.

**73 Claims, 5 Drawing Sheets**



U.S. PATENT DOCUMENTS

6,148,342	A	11/2000	Ho	709/225
6,192,472	B1	2/2001	Garay et al.	713/165
6,253,203	B1*	6/2001	O'Flaherty et al.	707/9
6,301,668	B1	10/2001	Gleichauf	713/201
6,389,542	B1*	5/2002	Flyntz	726/17
6,487,538	B1	11/2002	Gupta	705/24
6,598,161	B1	7/2003	Kluttz	713/166
6,602,298	B1	8/2003	Kirshenbaum	715/502.2
6,714,977	B1	3/2004	Fowler	709/224
6,771,290	B1	8/2004	Hoyle	345/745
2002/0116641	A1	8/2002	Mastrianni	713/201
2004/0054630	A1	3/2004	Ginter	705/53

OTHER PUBLICATIONS

FOLDOC, "URL,"Feb. 17, 2000, pp. 1-2.\*  
Ingram i100, Content Security Appliance (2 pages).

Element-Wise XML Encryption, Hiroshi Maruyama and Takeshi Imamura, IBM Research, Tokyo Research Laboratory (4 pages).

Survival Information Storage Systems by Jay J. Wylie, Michael W. Bigrigg, John D. Strunk, Gregory R. Ganger, Han Kiliccote Pradeep K. Khosla (8 pages).

ZD Net Interactive iWeek—IBS, SAP: XML to Boost Security Integration ( 1 page).

Myers, A.C. "Mostly-Static Decentralized Information Flow Control" M.I.T. Doctoral Thesis Jan. 1999.

The 1996 book, Applied Cryptography, by Schneier.

The Uniform Resource Locator article "FOLD OC".

Wylie "Survival Information Storage Systems".

Microsoft Word "Learning Microsoft Word 7.0".

\* cited by examiner

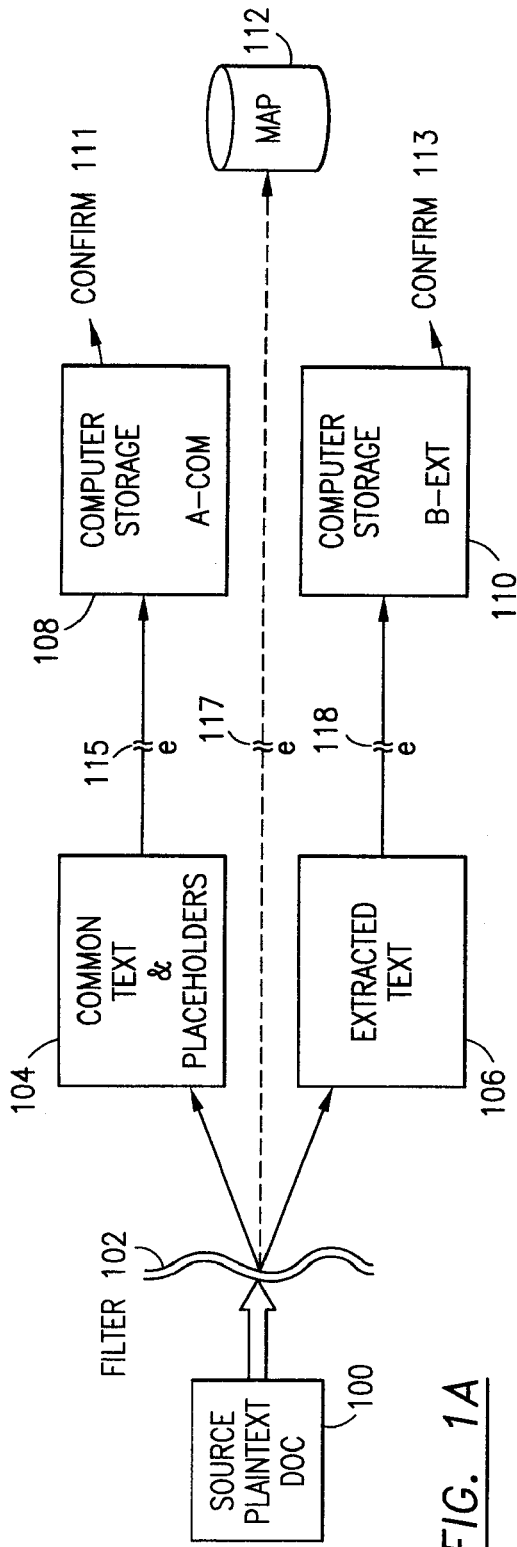


FIG. 1A

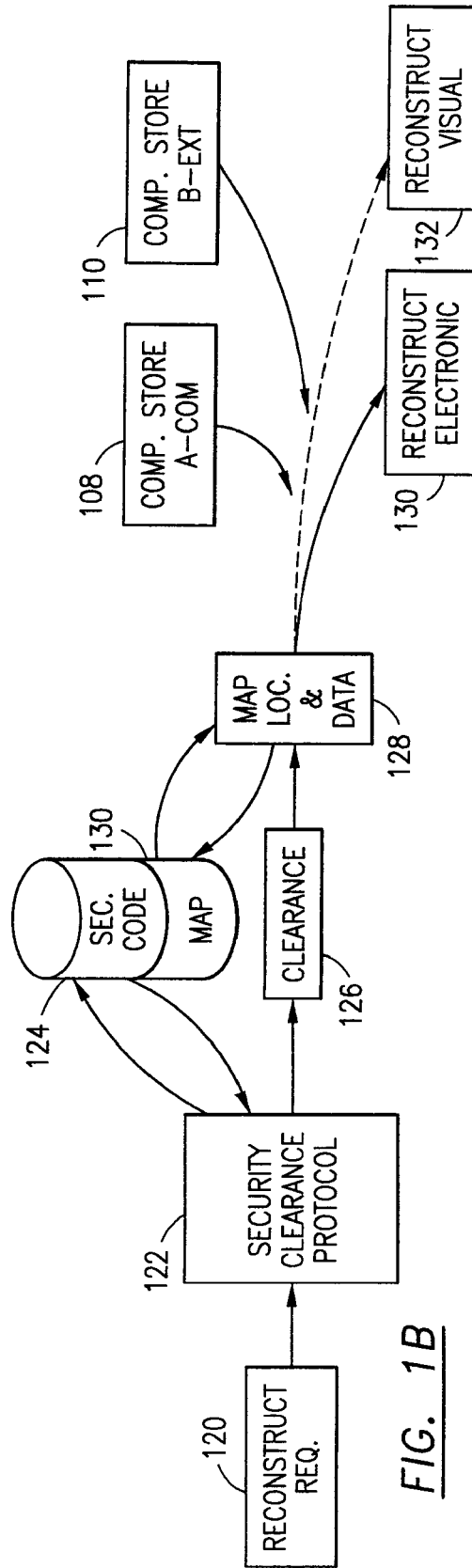


FIG. 1B

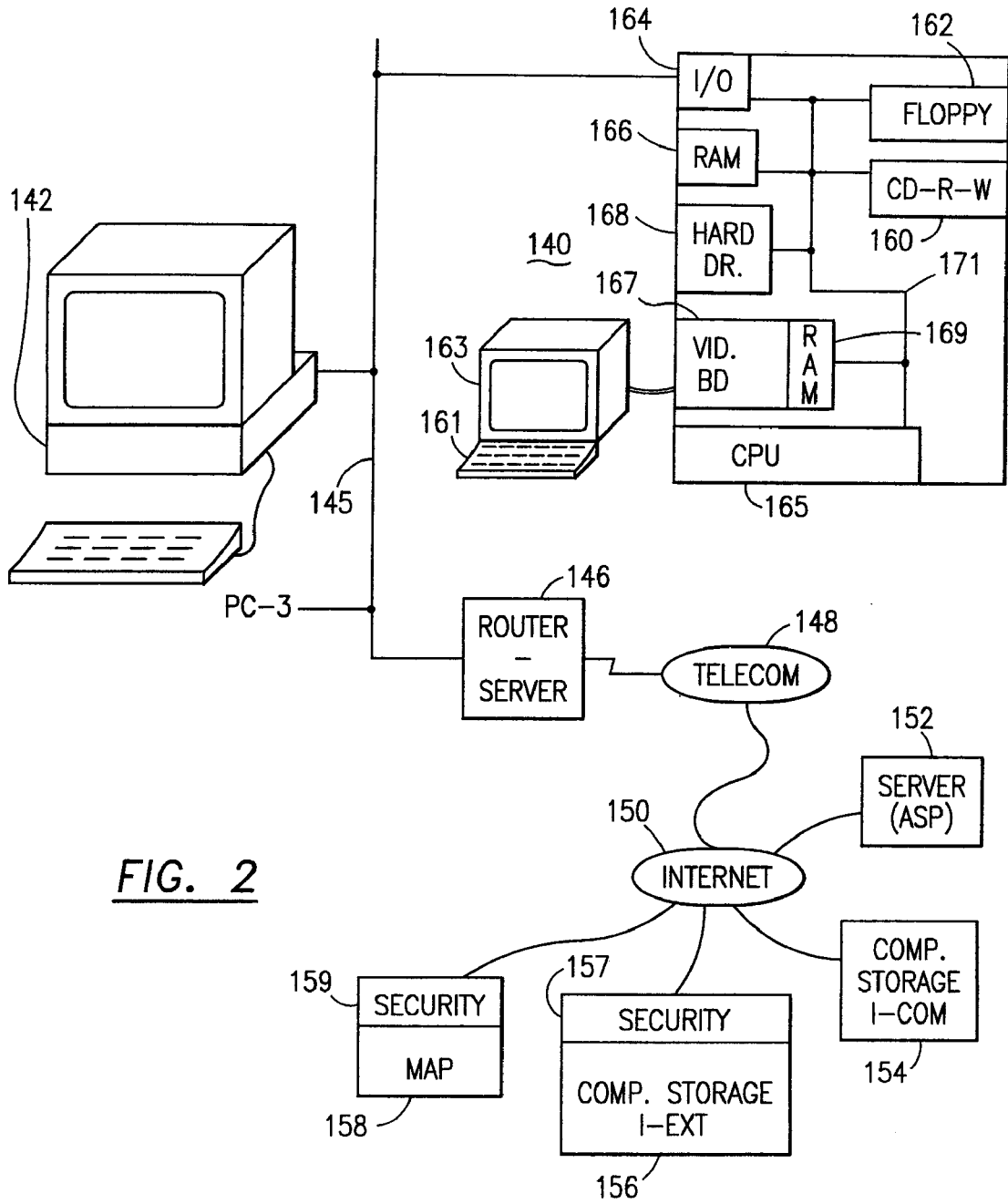


FIG. 2

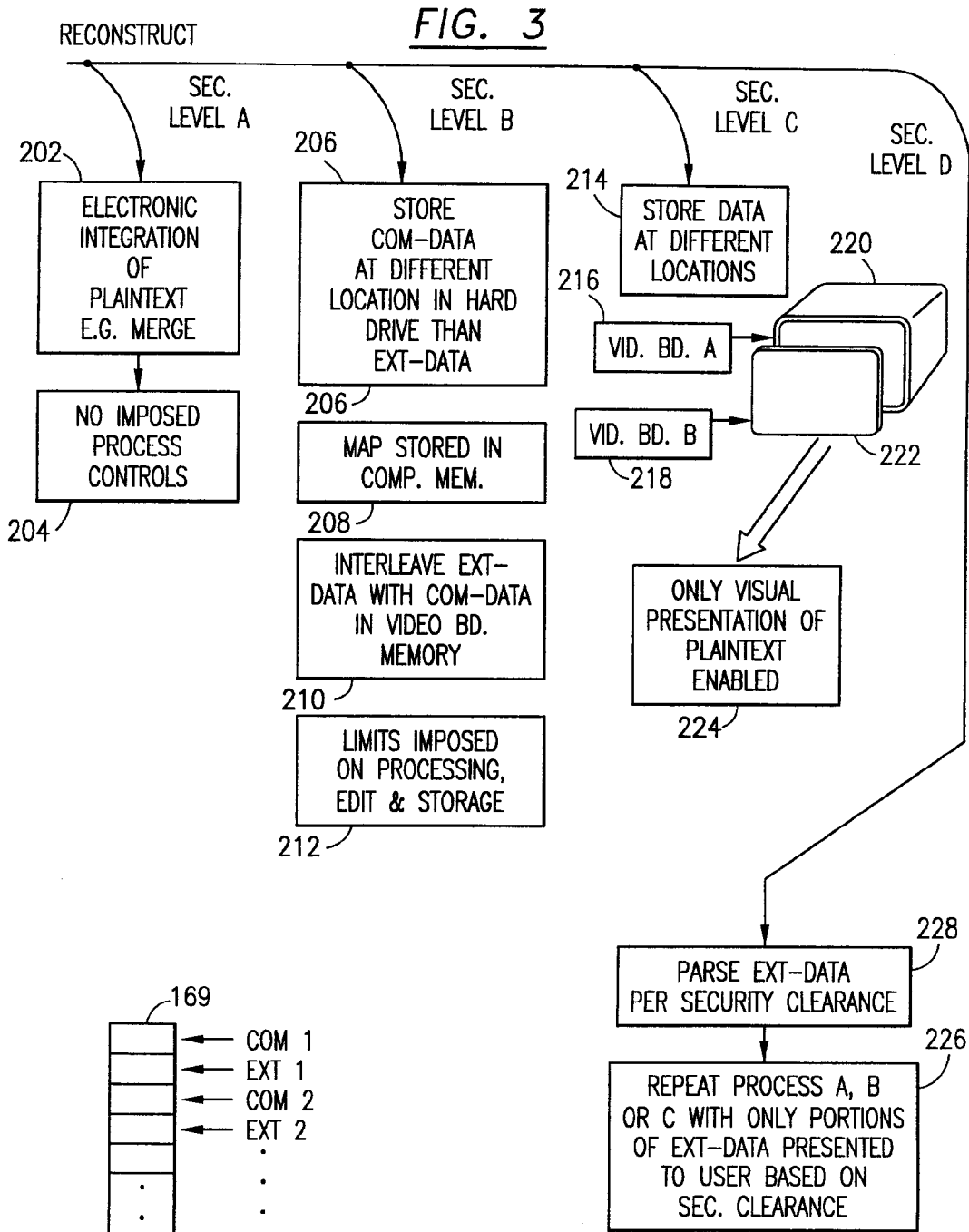


FIG. 4

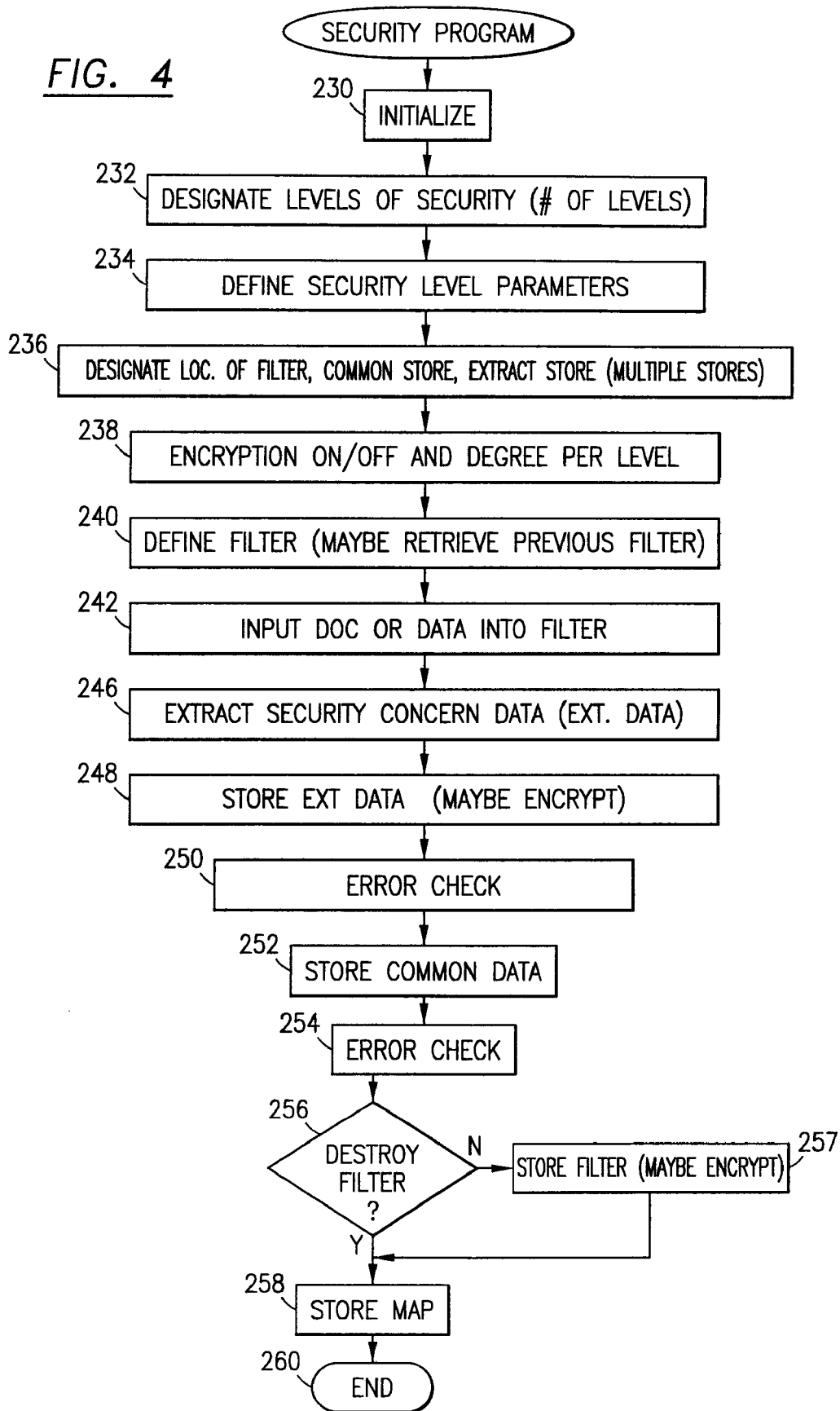
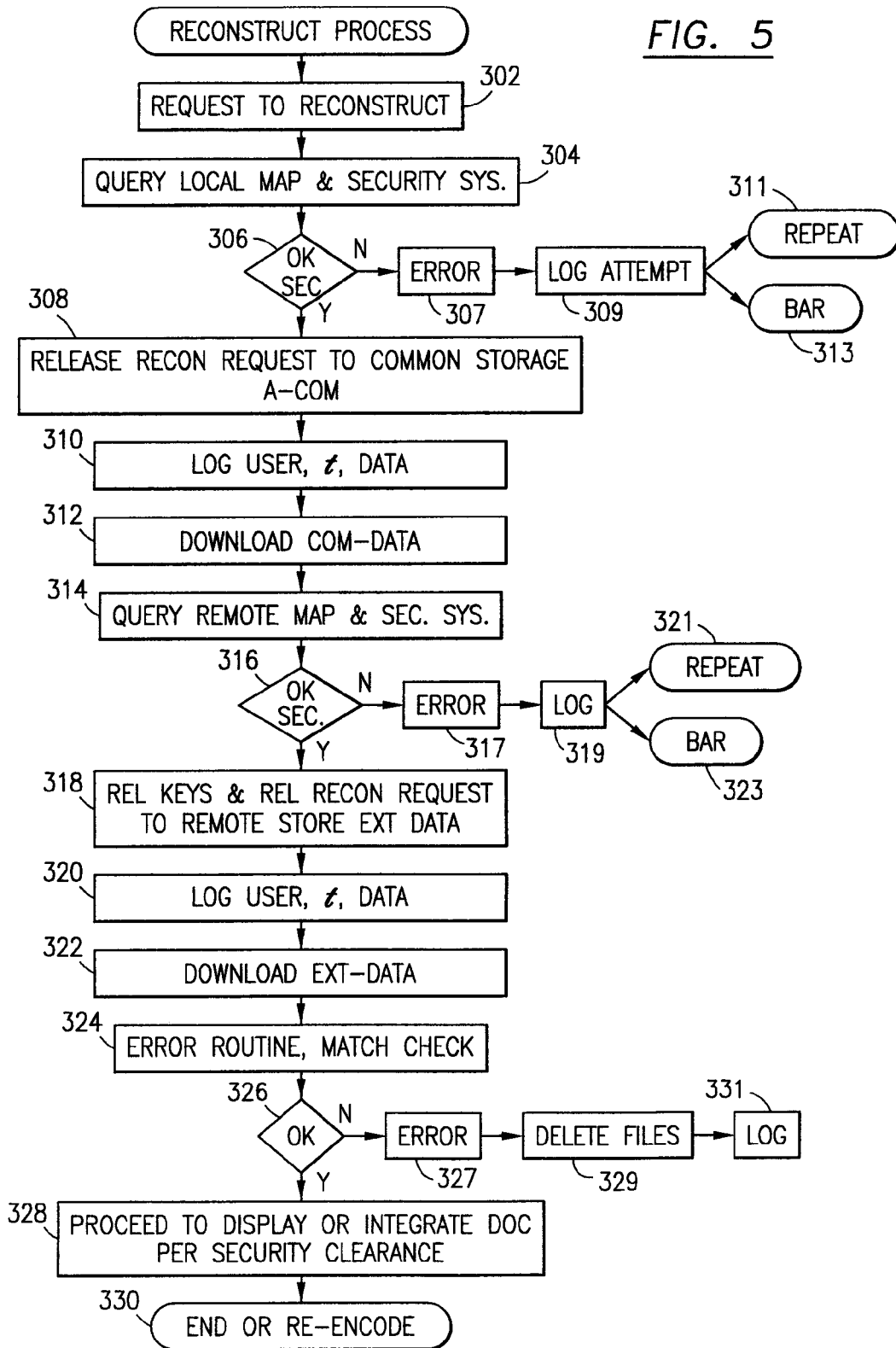


FIG. 5



**DATA SECURITY SYSTEM AND METHOD**

This patent application is based upon and claims priority of provisional patent application No. 60/260,398, filed Jun. 5, 2001; application No. 60/287,813, filed on May, 2, 2001; application No. 60/267,944, filed Feb. 12, 2001; application No. 60/247,242, filed Nov. 13, 2000 and application No. 60/247,232, filed Nov. 13, 2000.

The present invention relates to a data security system and method and, more specifically, the filtering, extraction and controlled release of data utilizing security protocols.

**BACKGROUND OF THE INVENTION**

The extensive use of computers and the continued expansion of telecommunications networks, particularly the Internet, enable businesses, governments and individuals to create documents (whether text, images or a combination thereof, sometimes identified by others as "data objects") and distribute those documents widely to others. Although the production, distribution and publication of documents is generally beneficial to society, there is a need to limit the distribution and publication of security sensitive words, characters or icons. Concerns regarding the privacy of certain data (for example, an individual's social security number, credit history, medical history, business trade secrets and financial data) is an important issue in society. In another words, individuals and businesses have a greater concern regarding maintaining the secrecy of certain information in view of the increasing ease of distribution of documents through computer networks and the Internet.

U.S. Pat. No. 6,055,544 to DeRose et al. discloses the generation of chunks of a long document for an electronic book system. DeRose '544 discloses solutions available to book publishers to publish books in electronic format on the worldwide web. One of the problems is that the books are published as small document fragments rather than publishing an entire book which, due to the formatting, protocol and command structure on the Internet, downloads an entire book to the user. The problem involved with publishing small documents is that there is no relationship to other portions of the book. See col. 3, lines 51-55 and col. 4, lines 3-5. One methodology to solve the problem involves inserting hypertext links in the book. This places a large burden on the book publisher. Col. 4, lines 19-21. Accordingly, it is an object of DeRose '544 to provide a mechanism for accessing only a portion of a large, electronically published document and automatically determining what portion of the document to download to the user based upon user selections that is, previous portions and subsequent portions of the document are downloaded with the selected portion, without maintaining separate data files for each portion of the document. Col. 4, lines 34-39. In other words, if a person wanted to access chapter 4 of a text, the system in DeRose '544 would display chapter 4, chapter 3 (the preceding chapter) and chapter 5 (the subsequent chapter). This publishing of portions of the document utilizes a subset of marked up elements established as being significant and a second subset of elements being less significant. For example, "Title elements" define a table of contents. A first representation of the document structure defined by all of the marked up elements may be used in combination with a second representation of the document structure defined only by the significant elements to control selection of portions of the documents such that previous and subsequent portions may be selected and rendered in a consistent and intuitive manner." Col. 4, lines 38-55. A computer system

stores a first representation of the hierarchy of all elements in the electronic document. As example, this may be each chapter in its entirety. The computer also stores a second representation of the hierarchy of only significant elements in the electronic document. As an example, this may be a listing of each chapter without the text associated with the chapter. In response to request for a portion of the document, the computer system selects the portion defined by the significant element in the second representation. For example, if the user requested chapter 4, the entirety of chapter 4 would be downloaded from the web server to the client computer. In addition to rendering or publishing the selected chapter, the computer system looks to the relationship of the elements in the first representation of the hierarchy (the list of all chapters) and downloads from the web server the adjacent chapters. In this example, this would involve downloading chapters 3 and chapter 5. In a further embodiment, the computer system selects only a leaf element of the second representation as a significant element during the download. See the Summary of the Invention, col. 4, line 40 through col. 6, line 14.

U.S. Pat. No. 5,832,212 to Cragun et al. discloses censoring browser method for viewing downloaded and downloading Internet documents. The abstract describes the system as including a user profile including user selected censoring parameters. Data packet contents are received from the Internet and the packets are compared with the user selected censoring parameters. Responsive to the comparison, the received data packet contents are processed and selectively displayed. The user selected censoring parameters include censored words and word fragments, and user selected categories. Compared word and word fragments can be removed and selectively replaced with predefined characters or acceptable substitute words. Tallies of weights for user selected categories are accumulated and compared with used selected threshold values. A predefined message can be displayed responsive to an accumulated tally exceeding a user selected threshold value without displaying the received data packet contents.

U.S. Pat. No. 6,094,483 to Fridrich discloses an encryption methodology hiding data and messages in images. In one application of the system in Fridrich '483, a method is disclosed of embedding a secret digital square image with 256 gray levels within an image carrier. The secret image is first encrypted using a chaotic Baker map. The resulting image is a random collection of pixels with randomly distributed gray levels without any spatial correlations. The carrier image which is twice the size (height and width or 2n×2m) the secret image with 256 gray levels. The carrier image is modified according to a mathematical formula.

U.S. Pat. No. 5,485,474 to Rabin discloses a scheme for information dispersal and reconstruction. Information to be transmitted or stored is represented as N elements of a field or a computational structure. These N characters of information are grouped into a set of n pieces, each containing m characters. col. 1, lines 37-46. The system is used for fault tolerance storage in a partitioned or distributed memory system. Information is disbursed into n pieces so that any m pieces suffice for reconstruction. The pieces are stored in different parts of the memory storage medium. A fairly complex mathematical algorithm is utilized to provide reconstruction of the information utilizing no fewer than m pieces.

U.S. Pat. No. 6,192,472 B1 to Garay et al. discloses a method and apparatus for the secure distributed storage and retrieval of information. Garay '472 identifies the problem as how to store information in view of random hardware or

telecommunications failures. Col. 1, lines 17–20. The initial solution is to replicate the stored data in multiple locations. Col. 1, lines 28–31. Another solution is to disburse the information utilizing in Information Disbursal Algorithm (IDA). The basic approach taking in IDA is to distribute the information F being stored among n active processors in such a way that the retrieval of F is possible even in the presence of up to t failed (inactive) processors. Col. 1, lines 40–44. Another issue is the utilization of cryptographic tools. With the use of tools called distributed fingerprints (hashes), the stored data is distributed using the fingerprints and coding functions to determine errors. In this way, the correct processors are able to reconstruct the fingerprint using the code's decoding function, check whether the pieces of the file F were correctly returned, and finally reconstruct F from the correct pieces using the IDA algorithm. Col. 2, lines 50–59. Garay '472 also discloses the use of Secure Storage and Retrieval of Information (SSRI) with the added requirement of confidentiality of information. Col. 3, line 56. With this added requirement, any collision of up to t processors (except ones including the rightful owner of the information) should not be able to learn anything about the information. Confidentiality of information is easily achieved by encryption. Col. 3, lines 56–61. The issue involves encryption key management, that is, the safe deposit of cryptographic keys. Garay '472 discloses confidentiality protocol utilizing distributed key management features. This mechanism allows the user to keep his or her decryption key shared among several n servers in such a way that when the user wants to decrypt a given encrypted text, the user would have to interact with a single server (the gateway) to obtain the matching plaintext while none of the servers (including the gateway) gets any information about the plaintext. Col. 4, lines 5–14.

U.S. Pat. No. 5,996,011 to Humes discloses a system and a method for filtering data received over the Internet by a client computer. The system restricts access to objectionable or target data received by a client computer over an Internet by a web server by filtering objectionable data from the data received. The Humes '011 system filters the data "on the fly." Further, the Humes '011 system can be applied to process any type of target data from the data received and displayed to the user. Col. 2, lines 32–44. If the web page requested by the user contains only a minimum amount of objectionable or target data, the user receives only a portion of the filtered web page for viewing. Hume '011 also provides that if the web page contains a large amount of objectionable material, the system blocks the entire display of the web page on the user's computer monitor. Col. 2, lines 56–62. Hume '011 provides three levels of filtering. At the first level, if the domain name contains objectionable words or material, the initial download from the domain is blocked. At the second level, the text in the download is filtered and objectionable words are replaced with a predetermined icon, for example, "- - -". Col. 3, lines 32–35. The filter uses a dictionary. Col. 3, lines 45–48. The filtered out words are counted. If the final score of "filtered out" material exceeds a predetermined threshold, the entire page is blocked from the user's view. Col. 4, lines 2–4.

U.S. Pat. No. 5,905,980 to Masuichi, et al., discloses a document processing apparatus for processing various types of documents, a word extracting apparatus for extracting a word from a text item including plural words, a word extracting method used in the document processing apparatus, and a storage medium for storing a word extracting program. Extracted words are associated with other words

via an algorithm. The extracted words and associated words are used as a search index for the document.

U.S. Pat. No. 5,996,011 to Humes discloses a computer based system and method for filtering data received by a computer system, and in particular, for filtering text data from World Wide Web pages received by a computer connected to the Internet, for purposes of restricting access to objectionable web sites.

U.S. Pat. No. 6,148,342 to Ho discloses a system for managing sensitive data. The system prevents a system administrator from accessing sensitive data by storing data and identifier information on different computer systems. Each query from a user's terminal is encrypted using two codes, the first code readable only by an identifier database and a second code readable only by a data access database. The data is routed from the user's source terminal to the identifier database at the first computer. The first computer/identifier database first verifies the user's ID and the security clearance for the requested information and substitutes a second internal ID to the data packet/query. The modified query is then presented to the data access database (the second computer) and, subject to a second security clearance, the response to the data query is sent back to the user's source terminal.

A publication entitled "Element-Wise XML Encryption" by H. Maruyama T. Imamura, published by IBM Research, Tokyo Research Laboratory, Apr. 20, 2000 discloses a protocol or process wherein certain parts of an XML document are encrypted and the balance of the plaintext is not encrypted. The protocol is useful in three party transactions, for example, when a buyer sends an order in an XML document to a merchant which contains the buyer's credit card information. The credit card information is sent to a credit company and the merchant does not need to know the credit number as long as he obtains clearance or authorization from the credit card company. Another instance is an access control policy which requires a certain part of an XML document to be readable only by a privileged user (for example, a manager could access the salary field in an employee records but others could only access name, phone and office fields). The Imamura article discusses encryption protocol, the delivery of keys and the utilization of compression. The article does not discuss separate storage of the critical data apart from the plaintext of the XML document.

The Ingrain i100 Content Security Appliance product brochure, available in June, 2001, discloses a system coupled to multiple web servers (computers) to accelerate secured transactions between multiple client computers (over the Internet) and prevents Secure Sockets Layer SSL performance bottlenecks by performing high-performance SSL handshakes and encrypting all data sent to back end servers using long-lived SSL session.

An article entitled "Survivable Information Storage Systems" by J. Wylie M. Bigrigg, J. Strunk, G. Ganger, H. Kilicote, and P. Khosla, published August, 2000 in COMPUTER, pp. 61–67, discloses a PASIS architecture which combines decentralized storage system technologies, data redundancy and encoding and dynamic self-maintenance to create survivable information storage. The Bigrigg article states that to achieve survivability, storage systems must be decentralized and must spread information among independent storage nodes. The decentralized storage systems partition information among nodes using data distribution and redundancy schemes commonly associated with disc array system such as RAID (redundancy array of independent discs) insuring scalable performance for tolerance. P. 61. Thresholding schemes—also known as secret sharing

schemes or information disbursal protocols—offer an alternative to these approaches which provide both information confidentiality and availability. These schemes and codes, replicate, and divide information to multiple pieces or shares that can be stored at different storage nodes. The system can only reconstruct the information when enough shares are available. P. 62. The PASIS architecture combines decentralized storage systems, data redundancy and encoding and dynamic self-maintenance to achieve survivable information storage. The PASIS system uses threshold schemes to spread information across a decentralized collection of storage nodes. Client-side agents communicate with the collection of storage node to read and write information, hiding decentralization from the client system. P. 62. The device maintains unscrutable audit logs—that is, they cannot be erased by client-side intruders—security personal can use the logs to partially identify the propagation of intruder-tainted information around the system. P. 63. The article states that, as with any distributed storage system, PASIS requires a mechanism that translates object names—for example file names—to storage locations. A directory service maps the names of information objects stored in a PASIS system to the names of the shares that comprised the information object. A share's name has two parts: the name of the storage node on which the share is located and the local name of the share on the storage node. A PASIS file system can embed the information needed for this translation in directory entries. P.63. To service a read request, the PASIS call client (a) looks up in the directory service the names of the n shares that comprise the object; (b) sends read requests to at least m of the n storage nodes; (c) collects the responses and continues to collect the responses until the client has collected m distinct shares; and (d) performs the appropriate threshold operation on the received shares to reconstruct the original information. P. 63. The p-m-n general threshold scheme breaks information into n shares so that (a) every shareholder has one of the n shares; (b) any m of the shareholders can reconstruct the information; and (c) a group of fewer than p shareholders gains no information. P. 64. Secret-sharing schemes are m-m-n threshold schemes that trade off information confidentiality and information availability: the higher the confidentiality guaranty, the more shares are required to reconstruct the original information object. Secret sharing schemes can be thought of as a combination of splitting and replication techniques. P. 64. The article discusses the technique of decimation which divides information objects into n pieces and stores each piece separately. Decimation decreases information availability because all shares must be available. It offers no information theoretic confidentiality because each share expresses 1/n of the original information. P. 64. Short secret sharing encrypts the original information with a random key, stores the encryption key using secret sharing, and stores the encrypted information using information disbursal. P. 64. An extension to the threshold schemes is cheater detection. In a threshold scheme that provides cheater detection, shares are constructed in such a fashion that a client reconstructing the original information object can tell, with high probability, whether any shares have been modified. This technique allows strong information integrity guarantees. Cheater detection can also be implemented using cryptographic techniques such as adding digest to information before storing it. P. 65. For the highest architecture to be effective as possible, it must make the full flexibility of threshold schemes available to clients. The article believes this option requires automated selection of appropriate threshold schemes on a per object basis. This selection would combine

object characteristics and observations about the current system environment. For example, a client would use short secret sharing protocol to store an object larger than a particular size and conventional secret sharing protocol to store smaller objects. The size that determines which threshold scheme to use could be a function of object type, current system performance, or both. P. 67.

#### OBJECTS OF THE INVENTION

It is an object of the present invention to provide a data security system, an information processing system and a method for securely storing data and rebuilding that data in the presence of an adequate security clearance.

It is another object of the present invention to provide a method for securing data on a single personal computer (PC), on a plurality of computers linked together through a local area network (LAN) or a wide area Network (WAN).

It is a further object of the present invention to provide a method for securing data utilizing a client-server computer system. The client-server computer system may be implemented over the Internet.

It is a further object of the present invention to provide a method for securing data which is highly flexible and programmable by a user.

It is an additional object of the present invention to enable the user to establish (a) the scope of the security sensitive words, characters or icons, (b) the future use (or destruction) of a filter enabling extraction of security sensitive data, (c) the selection of storage locations for extracted data and remainder or common data and (d) one or multiple levels of security limiting full reconstruction and enabling partial reconstruction of the extracted data and the remainder or common data.

These steps may be completely automated (after some parameters are set or programmed by a system administrator), may be fully programmable by the user, or may be a combination of automated and manual controls implemented by the systems administrator and/or the user-client.

#### SUMMARY OF THE INVENTION

The method for securing data in a computer system includes establishing a group of security sensitive words, characters or icons, filtering the data input from a data input device and extracting the security sensitive data. The extracted data is separated from the remainder data and is separately stored. In one embodiment on a personal computer (PC) system, the extracted data and the remainder or common data is stored in different, distributed memory segments. In a network implementation, the extracted data may be stored in one computer and the remainder or common data may be stored in another computer. In a client-server implementation, the server may direct storage of the extracted data to a different location than the remainder data, either on the server or on a further memory system (computer) interconnected to the server or on the client computer and in distributed memory segments. A map may be generated by a software module or sub-system indicating the location of the extracted data and the remainder data in the network. The filter may be destroyed (via a deletion routine) or may be retained for future use by the user. The map may be stored on the client computer or the user's PC or may be stored on the server. Copies of the map may be removed (deleted) from the user's PC or the client computer. The extracted data and/or the remainder data may be removed (deleted or scrubbed) from the originating com-

puter. Encryption can be utilized to further enhance the security levels of the system. All transfers of the filter between the client to the server may be encrypted, and all data (whether extracted data or remainder data) may be encrypted prior to storage in the distributed memory. Any transfer of extracted data or remainder data or maps or filters may include an encryption feature. Reconstruction of the data is permitted only in the presence of a predetermined security clearance. A plurality of security clearances might be required which would enable a corresponding plurality of reconstructing users to view all or portions of the data. Persons with low level security clearance would only be permitted to have access to low level extracted data (low level security sensitive data) and the common data. Persons with high level security clearances would be permitted access to the entire document reconstituted from the extracted data and the remainder data. A computer readable medium containing programming instructions carrying out the methodology for securing data is also described herein. An information processing system for securing data is also described.

The present invention can be configured in various forms. The following descriptions discuss various aspects of the invention and further advantages thereof.

The present invention enables automatic classification and declassification of documents on the fly. The extraction process downgrades and declassifies documents on the fly (in real time) so that they are useless to unauthorized parties. Presentation by a user of a valid security clearance enables substantially instant and seamless reconstitution of the security sensitive content.

The present invention automatically secures unstructured documents and free form documents for example, e-mail, instant messaging, or Word documents (input documents).

The present invention automatically secures structured documents and transactional documents for example, database records or XML documents (input documents).

The present invention introduces flexibility into security management, risk management of data, data storage, and data flows and enable automatic responsiveness to threats. The innovation enables automatic response to security challenges and threats. The innovation can maintain, upgrade and downgrade the levels of security through implementation of a leveled granular extraction process and a controlled-release mechanism. Attacks or other external events can trigger a response in the form of higher extraction levels, expanding the type of content extracted, and constricting the release of important and critical data control from storage. How much and what to extract depends on the level of threat or perceived risk. In same manner, the amount and type of content released from storage and reconstituted depends on the level of threat or risk perceived by the system. The system delivers a level of security protection specifically matched to meet security needs as dictated by the changing security threats, environment, policy and organizational needs.

The present invention introduces multiple levels and standards of security. It is common knowledge that the highest security is delivered through total separation. Whereas this concept has only been implemented physically or by isolating computer environments, the invention achieves this concept of total separation within open and networked computer environments. The invention can implement a total physical and logical separation of important and critical data from its context and can preclude access to that information without a needed granular access

permission. The invention is also effective for sounds and images (data objects as security words, characters, terms or icons).

The present invention introduces a new method and apparatus to monitor security sensitive content through a process of analysis and categorization of each word or character, in a document. The invention enables processing of every character, word, number, as they are entered into a document and categorizes each into one of many pre-set categories. Categories can include surnames, locations, currency, defined terminology, and unknown words or phrases.

The present invention introduces a method and apparatus for plain text extraction and dispersion of security sensitive data. Maximum security with traditional methods encumbers free flow of information and business efficiency. Encryption burdens computer systems with high performance overhead, and its use is limited to the parties who have decryption capabilities. The invention offers a new solution. It enables leveled security in plain-text format, in addition to none, some, or all of pre-existing encryption, decryption, firewalls, and other security infrastructure. The level of security is determined by the extent of the security sensitive items, selection process; the extent of dispersal to various distributed storage locations; the rules for controlled-release from storage; and the access rules governing the reconstitution of extracts into the secured document.

The extractions are dispersed to distributed storage on a granular level. The rest of the document can be stored at its original location and/or other storage locations. Dispersal of extractions introduces new barriers not existing in current security. In certain situations, an attacker has first to find the (encrypted) map to the locations, then locate and access the distributed storage, get the data released from the controlled-release storage, and finally reintegrate the extracts into the appropriate documents.

The present invention introduces a method and apparatus for targeted extraction and encryption of security sensitive items. The extraction capabilities of the system enable different workflow modes. The system enables extraction and encryption of important and critical content. In essence, only the critical content is extracted and/or encrypted, whereas the rest of the document remains as plaintext. This capability enables the following: advantages and flexibility; and the ability to share the document within the organization or transmit it to outsiders while still maintaining security over the most important and critical content of the document. This is an automatic process for controlling the content of outgoing e-mail. The document owner releases the important and critical content by enabling access to it to defined parties at defined times within defined threat modes.

The present invention introduces a method and apparatus for encrypting document or extractions with multiple encryption types. The invention can deliver the highest level of security by using multiple types of encryption (and/or multiple keys) for one line, paragraph or document. Maximum security is delivered through automatic selection of security sensitive items, and encrypting these extractions with one or more types of encryption. The remainder data can also be encrypted. Multiple encryption types within one document statistically precludes deciphering that document regardless of the available computer power. Common encryption methods are vulnerable through existing technologies, social engineering methods, carelessness, and workflow habits. Furthermore, simple encryption becomes more vulnerable (including triple DES) assuming future mathematical breakthroughs or quantum computing. Exist-

ing methods to crack block ciphers are being improved to compromise the future AES Rijndael standard.

The present invention to introduce a method and apparatus for content dispersion. The innovation enables control over specific important and critical content items within the general contents of documents or digital files in a computer or within a network. The immediate controlled-release of those important content items according to specific identification and access criteria proactively safeguards the security and the value of documents or digital files. The content control enables broad dissemination of the digital files in closed networks, as well as open networks including the Internet, without compromising the security of the important and critical information in the digital file. The dispersal channels can include any of all of the following: networks, Internet, Virtual Private Channel. Telephone lines, Optical lines, Wireless, Fax, Documents, Verbal communication.

The present invention introduces a method and apparatus for enhancing the survivability capabilities of an organization and its networks. If networks get damaged, the decryption capability, such as PKI, is likely to be compromised, or at a minimum, suspended. In such instances, the invention enables continuation of work on channels, which need not be secure. In addition, the dispersion of information guarantees maximum partial reconstitution to documents and transactions, or total reconstitution to documents and transactions benefiting from backup at distributed storage facilities.

The present invention introduces a method and apparatus for delivering security for inter-connecting networks. It enables security for closed networks connecting to the Internet and other open networks. The Internet infrastructure and open networks are not secure. Even secured closed networks, such as VPNs, are not secured enough. The critical content of documents is the critical asset of the organization and must be highly secured, with maximum reliability, full transparency and instant accessibility. To remain competitive, organizations must maximize utility of the critical data within their documents, files, databases and servers. The securing of such documents must not be at the expense of compromising the access or processing speed of such documents. The invention enables work in plain text, as well as with encryption. Working in plain text reduces the computing performance overload.

The present invention introduces a method and apparatus for delivering information flow control in decentralized environments. Protection of privacy and confidentiality of information represents a long-standing challenge. The challenge has become much bigger with the expansion of the Internet, which has created decentralized networks. Parties, who do not know or trust each other, have to exchange information. The invention enables free flow and sharing of information between parties by removing burdening security restrictions and creating top security with a controlled-release of the security sensitive content in the documents. The technology enables top security through introduction of user and organization's ownership and control of the critical granular data in documents.

The system introduces an additional layer of access controls at the granular level of the user document. In order to view the reconstructed critical information the user would need to be verified by additional access controls at the data storage level. The user access code or a physical key enables release of data from the storage. Today's access controls do not stop the user from distributing documents to other parties. The inventions fined grained controlled-release mechanism releases the critical information, only under a required set of circumstances and access validation. The

invention enables the user ownership of his security sensitive critical data and conditions for its release and dissemination. The user has the option to hide the critical data through declassification process and release through a reclassification process in which the critical data would be reconstituted in the document.

The present invention introduces a method and apparatus for delivering Compartmentalization of security sensitive content by leveled access to users. The invention creates leveled sharing of information, for example such that persons with level 3 access will have keys for encryption type RSA persons with level access 2 will have access to Blowfish encryption within one document.

The present invention introduces a method and apparatus for enabling more use of distributed and dispersed storage including ASPs (application service providers). There is a major human tendency to refrain from sending important documents to web storage locations because of potential security breaches. This cultural issue is both driven by psychological issues and well-founded security concerns. The retention of those documents as is in physical proximity or locked security, provides actual security but precludes gaining any utility from those documents in a functional business setting. Instead the invention enables functional distribution of those documents without the security sensitive data, and a controlled-release of some or all of the extractions in a granular way in order to support business activities while retaining security.

The present invention introduces a method and apparatus for enabling lower storage costs. The extraction process declassifies and downgrades mission critical documents. The downgrading and transformation of a critical document into a non-critical document, enables storage in less secured and lower cost storage. Taking advantage of this security-initiated, extraction process can yield substantial storage cost savings. The invention enables a high return on investment ROI for system storage cost arbitrage. Splitting the data into critical and non-critical enables 20 to 90% savings on storage cost.

The present invention delivers an automated security risk management system that creates added in-depth security defenses at the semantic-level as well as creation of controlled-release mechanisms at the storage-level with significantly reduced performance overhead requirements.

The present invention presents a technology which answers the security demands as required by Committee on Information Systems Trustworthiness of the National Research Council. The Committee's report, Trust in Cyberspace (1999), defines the security paradigms needed for a safe future. The report states: The substantial commercial off-the-shelf(COTS) makeup of a network information systems, the use of extensible components, the expectation of growth by accretion, and the likely absence of centralized control, trust, or authority demand a new approach to security: risk mitigation rather than risk avoidance; technologies to hinder attacks, rather than prevent them outright; add-on technologies and defense in depth; relocation of vulnerabilities rather than their elimination; none of the existing or security technologies addresses these needs in whole. The invention breakthroughs this barrier by providing a single system which implements each one of those four elements in a unified way. The invention controls information flow in centralized and decentralized environments, through controlled-release of information within distributed systems.

The present invention implements security measures while accommodating the performance needs of a network.

The invention provides a method and apparatus to ease overhead performance on congested computer networks. It can adjust the security defenses based on the performance needs of the network. Many security systems overburden the already burdened computing environment in terms of computational overhead, labor, and training requirements. The invention enables to ease the overhead performance of a network by transforming from high overhead performance, encryption methods, and other security methods, to the method presented by this invention.

The present invention minimizes the time of exposure of the important content within a document. The invention enables to separate the important content from the rest of the document for substantial periods of time, thereby minimizing substantially the exposure to risk. It is possible for example to extract the important content from the document and release it for reconstitution only when the user will open the document. In such situations the important content could for example be time and unexposed for over 99% of the time and exposed for less than 1% of the time, which lowers the risk substantially.

The present invention provides a security risk management method and system to minimize security risks. The invention enables minimization of security risks by: Automatic separation and extraction of granular critical data from the core document. Dispersal of the extracted critical data groups to different secured storage locations. Reconstitution of the critical data in document for limited time, to minimize exposure to risk. Partial reconstitution, of the critical data, in core document, through a controlled release of granular critical data. Granular controlled release of data to specific authorized people only.

The present invention provides a controlled release security mechanism to enable the release of content and granular content from storage locations in a centralized and decentralized environment. The controlled release mechanism enables release of the appropriate content to the authorized party at the right time under the right circumstances.

The present invention provides a security solution against damage by insiders. Studies show that insiders cause 70%-85% of the damage. These nine innovations are described in detail as follows: The invention enables insiders and employees to work with documents while managers and owners control the release of the critical prioritized information. The control is granular, thereby enabling continued work with the rest of the content in the document. The objective is to empower the user with the highest security while enabling him maximum sharing and delivery flexibility. This enables free flow of information between closed networks and public networks, such as the Internet, without compromising the security through extraction of important and critical content. The user can transport documents through various networks and e-mail services knowing that the critical information, which is still under control, and is not compromised.

The present invention provides an automatic security system in order to overcome human flaws that create security vulnerabilities. Human engineering flaws are the cause of 90% of security vulnerabilities. For example, passwords are exposed through human fault enabling reading of plain text before it is encrypted. The invention enables an automatic process of appropriate response to security threats in an objective way and on an on going basis.

The present invention provides an automatic security system in order to reduce human labor, and training costs.

The present invention provides protection for important granular content within a document. A feature left out in

computer development is the protection and automatic protection of granular important content in a document. In every facet of life critical assets are immediately protected. For example, credit cards and cash are protected in a wallet, important items at home are placed in closets, wall units, cabinets and safes.

The present invention provides an alternative method to encryption. Mathematical security and encryption could be broken. Discovery of a mathematical equation for a shortcut of the factoring of prime numbers would be make mathematical security and encryption extremely vulnerable.

In 1999 a 512-bit RSA key was broken-at that time 95% of keys in e-commerce were 512 bits long. U.S. government 56-bit Data Encryption Standard was cracked in just 22 hours by the Freedom Foundation. 100,000 PCs were connected with a supercomputer which enabled the testing of 245 billion keys per second.

The invention provides an automated security risk management system. The system automatically responds to attacks by matching the defenses level to the level of threats. The system responds to security threats through the following mechanisms: (1) controlled extraction of sensitive security data: in normal circumstances, extractions will take place according to pre-set rules; in threat situations, additional extractions will take place to deliver higher security; in an attack, additional substantial amounts of critical data will be extracted to deliver the highest security; (2) controlled dispersal to storage locations; in normal circumstances, dispersal to different storage locations according to pre-set rules will take place; in threat and attack situations, more dispersal to more storage locations, via additional communication channels will take place; and (3) controlled release of extracts for reconstitution; controlling amount of extracts released for reconstitution; controlling time of exposure of extracts in reconstitution; limiting access to specific people; and limiting access to specific times.

The present invention defends against devices like keyboard sniffers and mouse sniffers that can read information keyed into the computer and transmit it to an adversary. The invention enables to input security sensitive items through data input devices other than the keyboard. For example credit card numbers can be inputted through a hand held wireless devise. The inputted data would be transferred to storage for possible reconstitution.

The present invention defends against as devices that intercept electromagnetic signals from computers, monitors, printers, and keyboards. For example the Van Eck receptors which can read information off the screen the display screen. The invention enables separation contents of document into two or more displays thereby limiting the potential damage of electromagnetic eavesdropping.

## BRIEF DESCRIPTION OF THE DRAWINGS

Further objects and advantages of the present invention can be found in the detailed description of the preferred embodiments when taken in conjunction with the accompanying drawings in which:

FIG. 1A diagrammatically illustrates a basic system diagram showing filtering and storing extracted data and remainder or common data and, in an enhanced embodiment, generating and storing a map.

FIG. 1B diagrammatically illustrates a system diagram showing reconstruction of the data, various security clearances and both electronic reconstruction and visual reconstruction.

FIG. 2 diagrammatically illustrates a system showing major components of a single personal computer (PC) system, a networked system with several PCs (a LAN or WAN) and the network coupled to a telecommunications system and the Internet and shows the interconnection with a server and multiple, Internet-connected memory units.

FIG. 3 diagrammatically illustrates a basic flowchart showing reconstruction for various security levels.

FIG. 3A diagrammatically illustrates interleaving district data into different memory locations in a video memory.

FIG. 4 diagrammatically illustrates a flowchart showing one embodiment of the principal portions of the data security program.

FIG. 5 diagrammatically illustrates a flowchart showing the basic elements of the reconstruction process for the data security program.

DETAILED DESCRIPTION OF THE PREFERRED EMBODIMENTS

The present invention relates to a data security system, a methodology of securing data on a personal computer (PC) system, on a computer network (LAN or WAN) and over the Internet and computer programs and computer modules and an information processing system to accomplish this security system.

It is important to know that the embodiments illustrated herein and described herein below are only examples of the many advantageous uses of the innovative teachings set forth herein. In general, statements made in the specification of the present application do not necessarily limit any of the various claimed inventions. Moreover, some statements may apply to some inventive features but not to others. In general, unless otherwise indicated, singular elements may be in the plural and vice versa with no loss of generality. In the drawings, like numerals refer to like parts or features throughout the several views.

The present invention could be produced in hardware or software, or in a combination of hardware and software, and these implementations would be known to one of ordinary skill in the art. The system, or method, according to the inventive principles as disclosed in connection with the preferred embodiment, may be produced in a single computer system having separate elements or means for performing the individual functions or steps described or claimed or one or more elements or means combining the performance of any of the functions or steps disclosed or claimed, or may be arranged in a distributed computer system, interconnected by any suitable means as would be known by one of ordinary skill in the art.

According to the inventive principles as disclosed in connection with the preferred embodiment, the invention and the inventive principles are not limited to any particular kind of computer system but may be used with any general purpose computer, as would be known to one of ordinary skill in the art, arranged to perform the functions described and the method steps described. The operations of such a computer, as described above, may be according to a computer program contained on a medium for use in the operation or control of the computer as would be known to one of ordinary skill in the art. The computer medium which may be used to hold or contain the computer program product, may be a fixture of the computer such as an embedded memory or may be on a transportable medium such as a disk, as would be known to one of ordinary skill in the art.

The invention is not limited to any particular computer program or logic or language, or instruction but may be

practiced with any such suitable program, logic or language, or instructions as would be known to one of ordinary skill in the art. Without limiting the principles of the disclosed invention any such computing system can include, inter alia, at least a computer readable medium allowing a computer to read data, instructions, messages or message packets, and other computer readable information from the computer readable medium. The computer readable medium may include non-volatile memory, such as ROM, flash memory, floppy disk, disk drive memory, CD-ROM, and other permanent storage. Additionally, a computer readable medium may include, for example, volatile storage such as RAM, buffers, cache memory, and network circuits.

Furthermore, the computer readable medium may include computer readable information in a transitory state medium such as a network link and/or a network interface, including a wired network or a wireless network, that allow a computer to read such computer readable information.

In the drawings, and sometimes in the specification, reference is made to certain abbreviations. The following Abbreviations Table provides a correspondence between the abbreviations and the item or feature.

Abbreviations Table	
A-com	computer or memory store for common or remainder data
B-ext	computer or memory store for extracted data
bd	board
CD-RW	compact disk drive with read/write feature for CD disk
CPU	central processing unit
doc	document
dr	drive, e.g., computer hard drive
e	encryption
ext-data	extracted data
I/O	input/output
I-com	Internet storage for common or remainder data
I-ext	Internet storage for extracted data
loc	location
mem	memory
recon	reconstruct
rel	release
req	request
sec	security
sys	system
t	time
tele-com	telecommunications system or network

FIG. 1A diagrammatically illustrates the basic processes for establishing a secure storage of information, generally identified herein as "data." "Data," as used herein, includes any data object, e.g., text, images, icons, etc. Sound bites and video images may also be extracted data. A source document **100**, sometimes referred to as a "plaintext," is passed through a filter **102**. Filter **102**, in a most basic sense, separates out common text or remainder data **104** from uncommon text, words, characters or icons. The security sensitive words, characters or icons are separated from remainder or common text **104** as extracted text **106**. It should be noted that although the word "text" is utilized with respect to remainder text **104** and extracted text **106**, the text is a data object and includes words, phrases, paragraphs, single characters, portions of words, characters, whole or partial images, or icons. In a basic implementation, filter **102** may utilize a dictionary such that words present in the dictionary (common words) are separated from the source plaintext document **100** and placed into remainder document or common data file **104**. The uncommon words (extracted-security sensitive words), not found in the dictionary, would be placed in an extracted text or extracted data file **106**. For

15

example, a business may wish to impose a security system on a contract document such that the names of the contracting parties (not found in the dictionary) and the street names (not found in the dictionary) would be stored in extracted data text file **106**. The common text or remainder data would be stored in remainder data file **104**. In the illustrated embodiment, remainder data file **104** also includes place holders which enables the extracted data to be easily inserted or set back into the remainder data file.

The security sensitive words, characters or icons may be any word, phrase, letter, character, icon (full or partial), image or whatever as pre-defined or as established by the user. The user may specifically design the filter, begin with a dictionary to define common terms, identify any additional security sensitive words, letters, images, icons, partial versions of the foregoing or any other granular aspect of the plaintext. After defining the filter and accepting the data input, the system filters the plaintext and separates extracted data (security sensitive items) from the remainder data.

In a basic configuration, the common text or the remainder data is stored in common storage memory **108**. This common or remainder data store is identified as A-com generally referring to a segmented memory in a PC or a computer A in a network (LAN or WAN). Remainder data storage **108** may include a confirm storage signal function **111** to send back a confirm storage signal to the data input device generating source plaintext document **100**. The extracted data file **106** is stored in a different memory computer storage **110**(B-ext). In a preferred embodiment, memory segment **108**(A-com) is at a different location than computer storage memory segment **110**(B-ext). In a PC embodiment, memory A-com is a different memory segment than memory B-ext. In a networked embodiment, computer storage **108** may be on a different computer as compared with computer storage **110**. In any event, the remainder text is stored in a memory A-com and the extracted data or high security words, characters or icons are stored in memory B-ext. After storage of the extracted data in memory **110**, a confirmation indicator **113** may be generated to the client computer or the computer handling source plaintext input document **100** (the originating computer system).

In a further enhancement of the present invention, the computer or data input device handling source plaintext document **100** may also record the location of A-com **108** and B-ext **110**. The location data is called herein "map." A memory mapping function is utilized. The map may be stored in a third memory location **112**. Memory location map **112** may be a segment of the memory of the data input computer originating plaintext **100**.

As a further enhancement of the present invention, the user, prior to initiating the security system, may be given a choice of filtering out all the uncommon words or words not found in the dictionary and adding certain security sensitive words, characters or icons to filter **102**. The added words or terms are filtered out with the uncommon words. Of course, the user may be required to manually input all security words or download the security word filter from the Internet or another system on the LAN. For security systems having multiple security levels, a plurality of filters would be created, each filter associated with a different security level. Further, multiple security levels would require, in addition to remainder text document or data **104**, a plurality of extracted data documents **106**. The common or remainder text document or data **104** would still be stored in remainder computer storage A-com **108**. However, each extracted data document **106** would be stored in a respective, separate computer memory segment or computer B-ext **110**. Separate storage of

16

a plurality of extracted data at multiple, separate locations in B-ext is one of the many important features of the present invention.

In view of increasing levels of security relating to (a) the storage location A-com; (b) the transfer of remainder text document **104** to memory computer storage A-com **108**; (c) the storage of map **112**; (d) the creation, storage or transfer of filter **102**; (e) the storage of extracted data at memory storage B-ext (whether singular or plural storage sites); and (f) the transfer of extracted data thereto, the system may include an encryption e feature. The encryption e function **115**, **117** and **118** is diagrammatically illustrated in FIG. 1A.

FIG. 1B generally diagrammatically illustrates the major features of a reconstruction routine or system. The user, typically at a computer terminal, inputs a reconstruction request **120**. The system first executes a security clearance protocol routine **122** in order to determine whether the user has the proper security clearance. The security clearance may be thought of as a security clearance control. If multiple users are permitted access to the documents and those multiple users have different security clearances, the security clearance protocol determines the level of security clearance and, hence, the full or partial reconstruction of the plaintext. The security code input by the user is checked against a security code database or list **124**. Clearance is provided in step **126**. The location of the map and, hence, the location of the remainder data A-com **108** and extraction is provided to the user's computer in step **128**. This may include obtaining a copy of the map **130** showing the location of memory segments in (a) the local computer; (b) the LAN or WAN; or (c) the Internet storage sites. The storage segments are A-com **108** and B-ext **110**. The common or remainder data is downloaded or transferred or made available to the user's computer as shown at the output of map location and data step **128**. Typically, the extracted or security sensitive data from B-ext is downloaded. As described hereinafter, the data can be reconstructed as a complete electronic document in function **130** or may be reconstructed only as a visual reconstruction in step **132**. Visual reconstruction is discussed later. Function **130** operates as a compiler to gather the extracted data and remainder data into a single plaintext document.

If remainder data in A-com memory **108** and extracted data in B-ext computer memory **110** is encrypted, the reconstruction process includes a decryption step. Encryptors and decryptors are relatively well known by persons of ordinary skill in the art. Further, the filter **102** (FIG. 1A) may include some encryption routine operating on the data object (plaintext) during the filtering. A simple encryption may include substituting "dummy" text or images for the security words and keeping a pointer to an encryption key document mapping the security words with the dummy words. The filter may be stored or may be destroyed at the option of the user. Storage of the filter impacts the degree of security of the entire data system but storage of the same filter enables the user to reuse the filter at a later time. Encryption of the stored filter increases the security of the data. Creation and storage of map in memory **112** also impacts the degree of security of the system. However, if the filter **102** is destroyed and all copies of the map are destroyed on the user's computer originating plaintext document data **100**, and the map is stored offsite in a third computer memory location **112**, this offsite map storage may enhance the degree of security of the data. The originating computer processing plaintext **100** may be scrubbed to remove all reference and

copies of the plaintext, remainder text, extracted data map storage data, etc., i.e., a deletion routine may be employed on the data input computer.

FIG. 2 diagrammatically illustrates a personal computer or PC computer system **140**, a second PC or computer **142**, and a third PC-3. PCs **140**, **142** and PC-3 are connected together via a network **145**(LAN or WAN) and are also connected to an input/output device **146** that may be generally described as a router or a server to an outside communications system. The input/output device **146** is connected to a telecommunications system **148** which leads to Internet **150**. The Internet is a global computer network. Internet **150** is coupled to a plurality of servers, one of which is server **152**. Server **152** may be designated as an application service processor ASP. Internet **150** also includes various computer memory storage devices such as computer storage I-com **154**, computer storage I-ext **156** and computer storage map **158**. Computer storage enabling the store of extracted data includes a security level clearance module **157**. Similarly, map computer storage **158** includes security level clearance module **159**.

As stated earlier, the present data security system can be implemented on a single personal computer **140**. In this case, different memory segments or hard drive **168** may be used for A-com and B-ext. Typically, PCs include a keyboard or data input device **161**, a display **163**, a central processing unit CPU **165**, a video board **167** having video board memory **169**, a fixed disc hard drive **168**, a RAM **166**, and input/output device **164**, a removable memory media floppy drive **162** and a removable compact disk (CD) read-write (CD-RW) device or drive **160**. The system may include other removable disk drives, tape drives, or-flash memory units. Internal units CPU **165**, video board **167**, hard drive **168**, RAM **166** input/output device **164**, floppy drive **162** and CD-ROM device **160** are all coupled together via an internal bus **171**. Bus **171** represents a plurality of buses as is known to persons of ordinary skill in the art.

One methodology of implementing the present invention utilizes distinct memory segments which may be designated in one or more of the following: hard drive **168**, memory in a removable disk in floppy drive **162**, memory in a removable CD disc in CD-RW device **160**, and, to a very limited extend, RAM **166**. In this manner, the user may select, generally at the outset of the process, that the extracted data memory storage B-ext **110** be stored on a floppy (removable memory) via floppy drive **162** or a CD via CD-RW drive **160**. The user can then simply remove the floppy or the CD and carry it with him or her. To reconstruct the data, the operative program, generally discussed above would have access to the floppy or the CD and particularly the memory location of the data on the floppy and the CD in order to reconstruct the entire plaintext document **100** (see FIG. 1A). Alternatively, different portions of hard drive **168** may store A-com and B-ext. Of course, the computer system may utilize tape drives and memories or flash card, program-

able memory. In a local area network or wide area network implementation, PC **142** includes memory similar to memory units described in PC **140** and a memory segment may be set aside in PC **142** separate from the common data or remainder data storage typically placed on hard drive **168** in PC **140**. As a further expansion of the present invention, the extracted data (that is, the high security data), may be stored on computer storage I-ext memory unit **156** via Internet **150**, telecommunications system **148** and router/server **146**. In this manner, the common data or remainder data is stored on hard drive **168** and the highly sensitive data is stored off site in a

secured location. Access to that secured location may be limited via security layer **157**. If the user implements an encryption system (see encryption **e 118** in FIG. 1A), the extracted data is further secured by the encryption during the transfer from computer **140** through network **145**, router/server **146**, telecommunication system **148**, Internet **150** and ultimately to computer storage I-ext **156**.

The present invention may also be embodied utilizing an Application Service Provider on server **152** and in a client-server network.

An implementation of the present invention over Internet **150** most likely includes the use of a uniform research locator or URL for map memory computer **158**, computer storage I-ext **156**, computer storage I-com **158** and ASP server **152**. In a client-server environment, server **152** acts as a server generally commanding the operation of client computer **140**. Of course, persons of ordinary skill in the art recognize that the server may be located on the local area network **145** rather than being interconnected with Internet **150** as shown in FIG. 2. The claims appended hereto are meant to cover the alternative embodiments.

As an example of a client-server or web-based implementation of the present invention, the user at computer **140** may define the filter **102** as described above, and input data (plaintext) via keyboard **161** or load plaintext data from floppy drive **162** or CD-ROM drive **160** into RAM **166**. In any event, whether the plaintext data is input via keyboard **161** or copied or accessed in from floppy drive **162** or CD-RW drive **160**, the plaintext data is filtered as discussed above in connection with FIG. 1A. Prior to filtering, it would be appropriate for the user at computer **140** to identify where the remainder data or common data will be stored and where the extracted or high security data would be stored. The system is sufficiently flexible to enable the user to select local storage on different memory segments of PC **140** (hard drive **168**, floppy drive **162**, CD-RW drive **160**) or be flexible enough to enable user at computer **140** to designate off site storage of the high security data (extracted data) and/or the common or remainder data. The off site data storage process may include activating server **152** and enabling the server to take over the process directly from user **140**. In other words, the user at computer **140** could call up the URL of the server **152**, the server could request certain user information (user name, password), and would request data from the client computer to establish the filter pursuant to input selected by the user. The client computer may (a) filter the plaintext thereat or (b) send the data to the server for filtering. The server could store data either locally on computer **140** or remotely at computer memories **154**, **156**. After storage of the data at any of these locations, the server **152** may establish a map and store the map in memory location **158**. Of course, remainder data and the map may be stored at ASP **152** or client computer **140**. The map, if stored at map storage **158**, may be downloaded to the user at computer **140**. The filter may be stored at computer **140** or may be stored at a secured location on server **152**. Alternatively, the map could be destroyed on user computer **140**. The filter could also be destroyed on user computer **140**. Of course, the filter could be stored in a fourth remote location (not shown), different from I-com **154**, I-ext **156** and map computer memory **158**. Storage of the map and decryption keys is a critical, high security task. Appropriate security measures should be utilized to protect those items. Local removable memory storage on disc in floppy drive **162** or disc in CD-RW **160** may be reasonable. All traces of the map, the filter, the encryption key, the extracted data, and possibly the remainder data may be scrubbed or deleted

from all computer memories (by write-over or disc reformat routines) other than the “com” and “ext” storage sites. Deletion of all URLs, links, etc. is also recommended for high security applications. Deletion systems are known to persons of ordinary skill in the art.

To reconstruct the document, the user at computer **140** would be required to call up the URL of server **152** and input the appropriate security code. The server **152** would then call up and download data from various memory locations whether they be memory locations on computer **140** or memory locations I-com **154**, I-ext **156** and map memory **158**. The system compiles the entirety of the plaintext document by gathering the dispersed components thereof or compiles partial reconstructions for different levels of security. By implementing different security levels, the system is dynamic enough such that server **152** can easily locate the various extracted data levels based upon various security codes representing different security levels, as those codes are input by the user at computer **140**. Multiple security codes, at the inception and during the process, may be utilized. The user may be required to input security codes at multiple times during the reconstruction or compilation process.

It should be noted that computer storage **154**, **156** and **158** may be located on the same computer or may be located on different computers spread throughout the Internet. If the storage units are different computers spread throughout the Internet, computer storage **154**, **156** and **158** would each have their own URL or Uniform Resource Locator. In any event, during reconstruction, the server **152** gathers the information and downloads the information into RAM **166** of computer **140**. This download may include a first download of the common or remainder data from I-com **154**. At a separate time, which may or may not include a decryption routine, the extracted from I-ext **156** is downloaded. Preferably, other than inputting initial security codes and any required or desired intermediate security codes, the system operates automatically without further input from the operator at client computer **140**. The download of both data sets may be simultaneous in that the download is not humanly perceivable. This is especially true if storage in different memory locations in PC **140** is utilized.

The role of server **152** may be expanded or reduced dependent upon the desires of the user and the degree of security necessary. For example, server **152** may only enable separate storage of extracted data in I-ext **156**. In this limited role, server **152** would require the input of a proper security code and clearance prior to identifying and enabling the download of extracted data from I-ext **156**.

In an expanded mode, server **152** may be involved in filtering the data, extracting the security sensitive words, characters or icons to obtain extracted data and remainder data thereat, separately storing the extracted data from the remainder data (extracted data being placed in computer memory I-ext **156** and remainder data being stored in common remainder data memory I-com **154**) and then permitting reconstruction via separate or combined downloads of the remainder data and the extracted data into computer **140**.

FIG. 3 diagrammatically illustrates a system diagram for various reconstruction routines. A complete reconstruction is shown as security level path A. This involves an electronic integration of plaintext in step **202** resulting from the complete electronic reconstruction of document **100**. For example, a merge may occur between the extracted data and the remainder data or common text data. The document is completely compiled in this process. Placeholders in the

remainder document are utilized to locate and insert the extracted data. Most likely, there will be no process controls imposed on the integrated document as shown in step **204**. In other words, if the user at computer **140** has the proper security clearance, he or she could download or recreate the entire original source, plaintext document and the user would be entitled to edit the document or change it in any way or copy it and reproduce it.

The second level of security, path B, results in storage of the common or remainder data in a different memory location on the hard drive **168** as compared with the extracted data. This is noted in step **206**. Another words, in a simple example, hard drive **168** or RAM **166** would hold a copy of a remainder data document and another copy of the extracted data document, that is, two separate documents. Since two documents are available in RAM **166** or hard drive **168**, these documents are stored in different locations in the memory. In step **208**, a map showing the memory location of the common or remainder document and the extracted data document is provided to computer **140**. Step **210** commands the processor CPU **165** in computer **140** to interleave the extracted data with the common or remainder data in the video board memory. In this process, the extracted data would typically have placeholders for the missing remainder data. Otherwise, control codes to locate the extracted data into the remainder data would be executed by CPU **165** to properly place the extracted data into the “visual space” of the placeholders in the remainder data document. The extracted data document may have placeholder for the remainder data. Some type of register between the two image documents may be necessary. The compiler, in this embodiment, gathers the document elements and visually compiles and presents the plaintext to the user.

FIG. 3A diagrammatically shows that video board memory **169** is loaded with remainder or common data **1** and a different location of the video memory is loaded with extracted data **1**. The next video memory location is loaded with common data **2** and then a different video memory location is loaded with extraction data **2**. Since the refresh rate of computer monitor **163** is fast, the display **163** will show the common or the remainder data and then show the extracted data such that the user could not humanly perceive a difference in the document. However, the user could not copy the document from display screen **163** (a “screen shot”) since the document is never electronically integrated into a single document. There is only a visual presentation of the combined document by interleaving the extracted data with the common or remainder in the video memory **169**. Step **212** notes that the user may be limited in his or her ability to process, edit and store the reconstructed and presented plaintext document.

Security level path C recognizes in step **214** that the data is stored in different memory or computer locations. In this situation, two video boards, video board A and video board B are shown as board **216** and **218**. Video board **216** drives display monitor **220**. Video board **218** drives display monitor **222**. Display screens **220,222** are overlaid atop each other. Video board **216** is fed with common or remainder data from the remainder data store (see I-com store **154** in FIG. 2) and video board **218** is fed with the extracted data from the extracted data store, for example, I-ext store **156**. In this manner, as noted in step **224**, the user is presented only with a visual presentation or compilation of the plaintext. Since there was physical separation between video monitor **222** and video monitor **220**, there is no electronic integration at all of the plaintext document. Hence, the ability for the user to do any significant editing on the

plaintext document is blocked or prohibited because the user only has access to either the data on video board 216 or the video board 218.

Security level path D shows that the extracted data may be parsed or further separated based on a plurality of security clearances in step 226. Step 228 recognizes that the system can repeat process and security process paths A, B and C only with portions of the extracted data presented to the user based upon the user's security clearance.

FIG. 4 diagrammatically illustrates the major components of a flowchart for the data security program. It should be noted that this flowchart may be truncated to limit user selection of certain items. The system would be pre-set to contain these features. Step 230 initializes the system. Step 232 enables the user to designate various levels of security for the activity which he or she will soon engage. The system, in step 234, enables the user to define the levels of security parameters. The following Security Table gives some examples of the type of security that may be available to the user.

Security Table
to whom
to where
when (time of day, day of week, month, floating but predetermined time frame)
why (purpose, match purpose to other security parameters or to certain predetermined criteria)
how (through what medium (LAN, WAN, Internet, direct dial link), download to what site or destination)
how long (duration) the reconstruction process will be permitted per each security clearance level
how much (different security levels enable reconstitution of documents and data with different amounts of secure data therein)
timing systems may require synchronization for a standard clock (i.e., atomic clock)

As an example of a truncated or pre-set program, a client-server system over the Internet may have URLs designating storage sites and an ASP 152 (FIG. 2) controlling storage. In this pre-set system, the user does not select the sites. The sites may be randomly selected by ASP 152.

The user, in step 326 can designate the location of the filter, the common storage area for the remainder data, the extraction data storage and potentially multiple data storage areas or segments. Step 238 permits the user to engage or disengage encryption and, if engaged, establish the degree of encryption for the system. Step 240 enables the user to define the parameters of the filter. The user can retrieve a preexisting filter or may define a new filter for each data security session. These filters may consist of dictionaries or any type of compilation of words, characters, icons or pixel formation or any indication that can be perceived by the computer system. Granular extraction of data elements in a data object may be permitted. Step 242 recognizes that the user either inputs a preexisting plaintext document or types data into the system. In any event, the plaintext document is fed through the filter. Step 246 extracts the security data from the input document. Step 248 stores the extracted data. The extracted data may be encrypted prior to storage. Step 250 conducts an error check on the extracted data. This error check is helpful in discerning problems in the storage of the data prior to closing down the data security system. Step 252 stores the common data or the remainder data. Step 254 conducts an error check on the common or remainder data. The decision step 256 determines whether the user has selected a "destroy filter" command. If not, the filter is stored

with or without encryption in step 257. If YES, the filter is destroyed with a deletion routine. Typically, deletion is complete erasure of all traces of the file including, in high security systems multiple write-overs or disc reformatting. Step 258 stores a map. The map may be stored locally or remotely as described earlier. The system ends in step 260. All traces of these data elements or objects may be wiped clean or removed from whatever computer system generated the data objects or processed them, other than the memory storage locations. Deletion of data also includes the concept of deletion of data transmission paths, URLs, storage site locations and all temporary memory stores. Deletion of file location in the root directory of hard drive 168 of computer 140 is preferable in high security systems.

FIG. 5 diagrammatically illustrates basic flowchart features for the reconstruction process. Step 302 accepts a request to reconstruct the secured data. Step 304 queries a local map and the security system or protocol. In a preferred embodiment the user would have to input several passwords, one of them being a local password on computer 140. A local map which may be accessed only through the password, may simply identify the URL of server 152. Decision step 306 determines whether the local password is acceptable. If not, and error step is indicated in step 307, the attempt to log on to the security system is noted in step 309 (an audit trail), and the system either branches to repeat step 311 or bars the user from further activity in step 313.

Returning to decision step 306, if the password is locally acceptable, the YES branch is taken and the system executes step 308 which releases a reconstruction request to the common storage facility I-com 154 or A-com 108 (FIGS. 2 and 1A-B). The system in step 310 logs the user in, as well as time and date and the data regarding the request. In step 312, a download from the common data storage is provided to RAM 166 or hard drive 168.

In step 314, a query is made to obtain the remote map from the remote security system. The decision step 316 indicates that the user again successfully inputs his or her security code. If not, error routine 317 is activated, the password failure is noted in step 319 (an audit trail), and the user is given an opportunity to repeat in step 321 or is barred or prohibited from further activity in step 323. If the user has correctly input the security code, the system in step 318 releases the keys (to decrypt) and the map and releases the reconstruction request to the remote storage for the extracted data. This could be computer storage I-ext 156 or computer storage B-ext 110. In step 320, the user's access to the extracted data is logged in along with the time and day and type of data request. In step 322, the system downloads the extracted data into RAM 166 and/or hard drive 168 of computer 140. In step 324, an error routine is operated on the extracted data in order to insure that the extracted data properly matches the common or remainder previously stored. Decision step 326 determines whether the error routine properly generates the correct count or output. If not, the system in step 327 indicates an error, in step 329 the system deletes the common files and the extracted files and the system in step 331 logs in the failed attempt. If the error checking routine on the extracted data is acceptable, the YES branch is taken from decision step 326 and the system, in step 328, proceeds to display the plaintext document or to integrate the plaintext document pursuant to the security clearance initially input by the user. Step 330 ends this process. The end process may entail encrypting the data again and swiping clean all traces of data objects from the

memory stores and computer handling units. Of course, every use of encryption requires decryption of the data prior to reconstruction.

The system may incorporate various types of security systems or routines, pass word

pass phrase

multiple choice questions and answers

initial, intermediate and subsequent security clearance routines

biometric security routines (voice, fingerprint, signature, eye or retina scan)

The reconstruction routines may be interrupted or the security system automatically activated or initiated upon the occurrence of externally generated triggers or upon certain predetermined conditions or conditional events. Limited extraction, security clearance, release of data and reconstruction limits may be imposed.

The display systems 220, 222 in FIG. 3 include CRT monitors, LCD screens, projection screens and combinations of those systems.

The audit trail to monitor reconstruct and reconstruction attempts may include adding a time/data stamp to the remainder data and/or the extracted data prior to storage and a cross-check to the audit trail log during the reconstruction process.

Placeholders in the remainder document may be:

blank spaces

data symbols or elements “---” or “xxx”

false data

clearly erroneous data “ABC Company” or “Baker”

chaff or hash marks

messages

bar code

serialization data

alerts

links to other data objects

null set indicators “[ ]”

URL or website addresses

It is believed that the present invention is faster, during reconstruction, than standard encryption techniques, on the order of 100 to 1,000 faster.

The system and method described herein may operate substantially automatically, that is, without operator intervention, other than the security clearance function. The clearance function does require some type of operator authentication prior to retrieval of the extracted and remainder data.

The system and the method may operate automatically in that the plaintext or originating data could be identified by a party desiring security. The system could obtain that data from any data input device (hard drive memory, floppy drive memory, flash card memory, personal data assistant (PDA), or any other type of data input device), filter the data, separate the extracted text or the remainder text, encrypt (or not encrypt) the data, separately store the extract and remainder data (all automatically, that is, without operator intervention). Hence, it is not necessary that the system operate with significant operator or manual intervention. Of course, the system may also operate on a plaintext document or data object that is being created “in real time” by an operator and keyboard, mouse or other type of data input device.

The automatic operation of the system and the method can be caused by a triggering event. This triggering event may be a security attack (generating a trigger to start the gathering of plaintext, filtering, extraction and storing) or may be any other type of trigger such as a building burglar alarm,

door alarm, fire alarm, or virus detection algorithm trigger. The event may be a time of day, week or month. It may be n seconds after the user stops typing on a keyboard. It may be a timed back-up feature.

Multiple filters may be utilized in the system and in connection with the method. These multiple filters may be useful in the operation of the system with a plurality of security levels. Each filter could filter out different levels of security sensitive items and each bundle or group of security sensitive items (from each distinct filter) could be stored at different computer storage locations. Multiple filters, multiple security levels and multiple storage areas may also include multiple encryption routines and decryption routines. Encryption and decryption routines can be related to the level of security of a particular group of data.

Multiple maps may also be provided for singular or multiple storage of extracted data and remainder data. These maps may or may not indicate the originating point of the data. Maps can be parsed such that an intruder, upon discovery of a single map or map portion, could not locate the storage locations of all piece of the extracted data and remainder data.

The concept of partial reconstruction also includes the concept that a portion of the plaintext would be reconstructed and the unreconstructed portions of the plaintext could be encrypted or could show blanks or other symbolic indicators. See the placeholder table above.

Partial reconstruction of the plaintext also includes a concept that the security sensitive items or materials may be subject to different types of encryption. Hence, a single plaintext document may have multiple levels of security and multiple levels of encryption wherein each encryption has a different level of security assigned to it.

The claims appended hereto are meant to cover modifications and changes within the scope and spirit of the present invention.

What is claimed is:

1. A method for securing data in a computer network having a plurality of computers interconnected together, one of said plurality of computers designated as a data input computer and each of said plurality of computers having a memory therein, a plurality of memories respectively designated as a remainder store and a plurality of extract stores in others of said plurality of computers, comprising:

establishing a group of security sensitive words, characters or icons for each of a plurality of security levels, each with a respective security clearance;

filtering data input from said data input computer and extracting said security sensitive words, characters or icons for each security level from said data to obtain extracted data and remainder data;

storing said extracted data in extract stores corresponding to respective security levels and said remainder data in said remainder store; and,

accessing respective extract stores and permitting full or partial reconstruction of said data via said extracted data and remainder data only in the presence of a respective security clearance corresponding to a respective security level.

2. A method as claimed in claim 1 including defining a filter for a respective security level prior to said filtering step.

3. A method as claimed in claim 2 wherein the step of defining the filter includes the step of establishing said group of security sensitive words, characters or icons and the method includes one of storing said filter or destroying said filter after storing said extracted data.

25

4. A method as claimed in claim 1 including encrypting one or both of said extracted data and remainder data prior to storing.

5. A method as claimed in claim 4 wherein the step of permitting reconstruction includes decrypting one or both of said extracted data and remainder data.

6. A method as claimed in claim 1 including the step of permitting a plurality of partial reconstructions of said data in the presence of respective ones of said plurality of security clearances.

7. A method as claimed in claim 1 wherein said other computers are each respectively designated by a uniform resource locator (URL) and said storing utilizes said URLs.

8. A method as claimed in claim 1 wherein said other computers are each respectively designated by a uniform resource locator (URL) and said data input computer and said other computers operates as a client in a client-server environment, the method including sending said extracted data from said data input computer to said second computer utilizing said respective URL and client-server protocol.

9. A method as claimed in claim 8 wherein said step of permitting reconstruction includes downloading said extracted data utilizing and said client-server protocol.

10. A method as claimed in claim 1 wherein said other computers are each respectively designated by respective uniform resource locators (URLs) and said data input computer operates as a client in a client-server environment, the method including sending said remainder data and extracted data respectively from said data input computer to said other computers utilizing client-server protocols.

11. A method as claimed in claim 10 wherein said step of permitting reconstruction includes downloading said remainder data and extracted data utilizing corresponding URLs and client-server protocols.

12. A method as claimed in claim 11 including the step of encrypting and decrypting said remainder data and extracted data during sending and downloading.

13. A method as claimed in claim 1 wherein a further one of said computers includes a data display system with at least two separate but visually overlaid displays and at least two respective display interfaces, the step of reconstruction including displaying said extracted data on one of said at least two displays and displaying said remainder data on another of said at least two displays.

14. A method as claimed in claim 1 including deleting said data input from said data input computer after the step of storing.

15. A method as claimed in claim 1 including mapping said plurality of memories.

16. A method for securing data in a computer network with one or more security sensitive words, characters or icons and a plurality of security levels each with a respective security clearance, subsets of said security sensitive words, characters or icons being correlated with respective ones of said plurality of security levels, said computer network having a plurality of computers interconnected together, each of said plurality of computers having a memory therein, one of said plurality of computers designated as a data input computer, a first memory designated as a remainder store in said plurality of computers, and a corresponding plurality of memories in other ones of said plurality of computers designated as extract stores for respective ones of said plurality of security levels, comprising:

filtering data input from said data input computer for said plurality of security levels and extracting said security sensitive words, characters or icons for each of said

26

security levels from said data to obtain extracted data for said security levels and remainder data;

storing said extracted data in extract stores corresponding to respective security levels and said remainder data in said remainder store;

presenting a plurality of predetermined security clearances to obtain access to respective ones of said extract stores; and,

permitting full or partial reconstruction of said data via said extracted data and remainder data only in the presence of said predetermined security clearance after presentment of respective ones of said plurality of predetermined security clearances.

17. A method as claimed in claim 16 including defining a filter for said security levels prior to said filtering step.

18. A method as claimed in claim 17 wherein the step of defining the filter includes the step of establishing a group of security sensitive words, characters or icons and the method includes one of storing said filter or destroying said filter after storing said extracted data.

19. A method as claimed in claim 16 including encrypting one or both of said extracted data and remainder data prior to storing.

20. A method as claimed in claim 19 wherein the step of permitting reconstruction includes decrypting one or both of said extracted data and remainder data.

21. A method as claimed in claim 16 wherein the step of storing stores remainder data in a different computer as compared with said data input computer and the step of presenting includes a plurality of presenting steps and the step of permitting reconstruction including the step of permitting a plurality of partial reconstructions of said data in the presence of respective ones of said plurality of security clearance levels after presentment.

22. A method as claimed in claim 16 wherein some of said plurality of computers are designated by uniform resource locators (URLs) and said storing utilizes said URLs.

23. A method as claimed in claim 16 wherein said data input computer operates as a client in a client-server environment the method including sending said extracted data from said data input computer to said plurality of servers utilizing a URL and client-server protocol.

24. A method as claimed in claim 23 wherein said step of permitting reconstruction includes downloading said extracted data from said other ones of said computers utilizing said URL and said client-server protocol.

25. A method as claimed in claim 16 wherein said one and said other ones of said plurality computers are designated by respective uniform resource locators (URLs) and said data input computer operates as a client in a client-server environment, the method including sending said remainder data and extracted data respectively from said data input computer to said other ones of said plurality of computers utilizing client-server protocols.

26. A method as claimed in claim 25 wherein said step of permitting reconstruction includes downloading said remainder data and extracted data respectively from said other ones of said plurality of computers utilizing corresponding URLs and client-server protocols.

27. A method as claimed in claim 26 including the step of encrypting and decrypting said remainder data and extracted data during sending and downloading.

28. A method as claimed in claim 16 wherein one of said computers is a reconstruction computer which includes a data display system with at least two separate but visually overlaid displays and at least two respective display interfaces, the step of reconstruction including displaying said

27

extracted data on one of said at least two displays and displaying said remainder data on another of said at least two displays.

29. A method as claimed in claim 16 including deleting said data input from said data input computer after the step of storing.

30. A method as claimed in claim 16 including mapping said remainder store and said plurality of extract stores.

31. A method for securing data in a computer network having a plurality of computers interconnected together, one of said plurality of computers designated as a data input computer, each of said plurality of computers having a memory therein, said plurality of computers including a plurality of first designated computers each with a corresponding security level and security clearance and a second designated computer, comprising:

establishing a group of security sensitive words, characters or icons for each said security level;

filtering data input from said data input computer and extracting said security sensitive words, characters or icons for each respective security level from said data to obtain extracted data for the respective security level and remainder data;

designating corresponding memory in said first designated computers as an extract store for each said respective security level and designating memory in said second computer as a remainder store;

storing said extracted data in said corresponding memory for each said respective security level and said remainder data in said remainder store; and,

accessing respective corresponding memories and permitting full or partial reconstruction of said data via said extracted data and remainder data only in the presence of a respective security clearance corresponding to the respective security level.

32. A method as claimed in claim 31 wherein said step of designating includes storing a map of the corresponding memory.

33. A method as claimed in claim 32 including storing said map in said data input computer.

34. A method as claimed in claim 33 wherein the step of storing said map includes encrypting said map and the step of permitting reconstruction includes the step of decrypting said map.

35. A method as claimed in claim 31 wherein said second computer is said data input computer and the step of filtering occurs thereat.

36. A method as claimed in claim 31 including the step of encrypting one or both of said extracted data and remainder data.

37. A method as claimed in claim 36 including the step of encrypting during the filtering step and prior to the storing step.

38. A method as claimed in claim 37 including the step of decrypting during the reconstruction step.

39. A method as claimed in claim 31 including creating at least one filter for a respective security level and one of destroying or storing said filter after the filtering step.

40. A method as claimed in claim 31 wherein one of said computers includes a display fed from video memory having a plurality of frame memory segments, the reconstruction step including interleaving extracted data and remainder data into respective ones of said plurality of frame memory segments on said one computer.

41. A method as claimed in claim 31 wherein one of said computers includes a data display system with at least two separate but visually overlaid displays and at least two

28

respective display interfaces, the step of reconstruction including displaying said extracted data on one of said at least two displays and displaying said remainder data on another of said at least two displays on said one computer.

42. A method as claimed in claim 31 including deleting said data input from said data input computer after the step of storing.

43. A method for securing data in a computer network with one or more security sensitive words, characters or icons and a plurality of security levels each with a respective security clearance, subsets of said security sensitive words, characters or icons being correlated with respective ones of said plurality of security levels, said computer network having a plurality of computers interconnected together, each of said plurality of computers having a memory therein, one of said plurality of computers designated as a data input computer, said plurality of computers including a first computer designated as a remainder store and a further plurality of computers designated as extract stores for respective ones of said plurality of security levels, comprising:

extracting said security sensitive words, characters or icons for said plurality of security levels from said data to obtain extracted data for respective security levels and remainder data; storing said extracted data in extract stores corresponding to respective security levels and said remainder data in said remainder store; presenting a plurality of predetermined security clearances to obtain access to respective ones of said extract stores; and,

permitting full or partial reconstruction of said data via said extracted data and remainder data only in the presence of respective ones of said predetermined security clearances after presentment thereof.

44. A method as claimed in claim 43 including designating a map of the extract stores and said remainder store.

45. A method as claimed in claim 44 including storing said map in said data input computer.

46. A method as claimed in claim 45 wherein the step of storing said map includes encrypting said map and the step of permitting reconstruction includes the step of decrypting said map.

47. A method as claimed in claim 43 wherein said data input computer filters the extracted data.

48. A method as claimed in claim 43 including the step of encrypting one or both of said extracted data and remainder data.

49. A method as claimed in claim 48 including the step of encrypting prior to the storing step.

50. A method as claimed in claim 49 including the step of decrypting during the reconstruction step.

51. A method as claimed in claim 47 including employing a filter for said extracting step and one of destroying or storing said filter after the filtering step.

52. A method as claimed in claim 43 wherein one of said computers includes a display fed from video memory having a plurality of frame memory segments, the reconstruction step including interleaving extracted data and remainder data into respective ones of said plurality of frame memory segments on said one computer.

53. A method as claimed in claim 43 wherein one of said computers includes a data display system with at least two separate but visually overlaid displays and at least two respective display interfaces, the step of reconstruction including displaying said extracted data on one of said at least two displays and displaying said remainder data on another of said at least two displays on said one computer.

54. A method as claimed in claim 43 including deleting said data input from said data input computer after the step of storing.

55. A computer readable medium containing programming instructions for securing data in a computer network having a plurality of computers interconnected together, one of said plurality of computers designated as a data input computer and each of said plurality of computers having a memory therein, a plurality of memories respectively designated as a remainder store and a plurality of extract stores in other computers in said plurality of computers, the programming instructions comprising:

- establishing a group of security sensitive words, characters or icons for each of a plurality of security levels, each level having a respective security clearance;
- filtering data input from said data input computer and extracting said security sensitive words, characters or icons for a respective security level from said data to obtain extracted data and remainder data;
- storing said extracted data in extract stores corresponding to respective security levels and said remainder data in said remainder store; and,
- accessing respective extract stores and permitting full or partial reconstruction of said data via said extracted data and remainder data only in the presence of a respective security clearance corresponding to the respective security level.

56. A medium with programming instructions as claimed in claim 55 including the step of permitting a plurality of partial reconstructions of said data in the presence of respective ones of said plurality of security clearance levels.

57. A medium with programming instructions as claimed in claim 55 including encrypting one or both of said extracted data and remainder data.

58. A medium with programming instructions as claimed in claim 57 including encrypting during the filtering step and prior to the storing step.

59. A medium with programming instructions as claimed in claim 58 including decrypting during the reconstruction step.

60. A medium with programming instructions as claimed in claim 55 including employing a filter for the respective security level and one of destroying or storing said filter after the filtering step.

61. A medium with programming instructions as claimed in claim 55 including deleting said data input from said data input computer after the step of storing.

62. A medium with programming instructions as claimed in claim 55 including mapping said said plurality of memories.

63. An information processing system for securing data having one or more security sensitive words, characters or icons in a computer network, a plurality of security levels each with a respective security clearance, subsets of said security sensitive words, characters or icons being correlated with respective ones of said plurality of security levels, said computer network having a plurality of computers interconnected together, each of said plurality of computers having a memory therein, one of said plurality of computers designated as a data input computer, said plurality of computers including a first computer designated as a remainder computer store and a plurality of other computers designated as extract stores for respective ones of said plurality of security levels, the information processing system comprising:

- a filter adapted to receive data input from said data input computer and to separate, from said data input, said

security sensitive words, characters or icons into extracted data corresponding to respective ones of said plurality of security levels and remainder data;

- a memory storage facility, coupled to said filter, for storing said extracted data in corresponding extract stores and said remainder data in said remainder store;
- a security clearance control for each of said extract stores controlling access thereto only in the presence of a predetermined respective one of a plurality of security clearances for each of said plurality of security levels; and
- a compiler, coupled to said security control and said extract stores and said remainder store, for fully or partially reconstructing said data from said extracted data and said remainder data dependent upon access provided by respective ones of said plurality of security clearances.

64. An information processing system as claimed in claim 63 including means for mapping said extract stores and said remainder store, coupled to said memory storage facility.

65. An information processing system as claimed in claim 64 wherein said means for mapping creates a map for said corresponding extract stores.

66. An information processing system as claimed in claim 65 including an encryptor coupled to said filter for encrypting said map and a decryptor coupled to said compiler for decrypting said map.

67. An information processing system as claimed in claim 63 wherein said filter is adapted to be removably coupled to said data input computer.

68. An information processing system as claimed in claim 63 including an encryptor coupled to said filter for encrypting one or both of said extracted data and remainder data.

69. An information processing system as claimed in claim 68 including a decryptor coupled to said compiler for decrypting one or both of said extracted data and remainder data.

70. An information processing system as claimed in claim 63 including means for deleting said filter, coupled to said filter.

71. An information processing system as claimed in claim 63 wherein one of said computers includes a display fed from a video memory having a plurality of frame memory segments, the information processing system including said compiler adapted to be coupled to said video memory, said compiler having means for interleaving extracted data and remainder data into respective ones of said plurality of frame memory segments on said one computer.

72. An information processing system as claimed in claim 63 wherein one of said computers includes a data display system with at least two separate but visually overlaid displays and at least two respective display interfaces, the information processing system including said compiler adapted to be coupled to said at least two display interfaces, said compiler having means for displaying said extracted data on one of said at least two displays and displaying said remainder data on another of said at least two displays on said one computer.

73. An information processing system as claimed in claim 63 including means for deleting said data input from said data input computer.